

SP480

SUPER PAINTER SP480



The SP460/SP480 is ideally suited for residential, property maintenance, small commercial applications.

This high performance electric airless sprayer will apply all standard architectural primer, paints and coatings efficiently.



2025 NEW >>>

>>> AIRLESS SPRAYER

Advantage

Compact size, durable, reliable and long lasting, easy to step, use and clean.

Project

Recommended for small and medium residential and commercial projects.

Material

All stains, lacquers, enamels, latex, and architectural coatings with ease.

Specification

- Motor 1000w
- Flow rate 1.8LPM
- Max. Tip size 0.021"
- Max. Pressure 3045Psi

Max.Viscosity

Handles all standard paints without diluting in most cases (for smooth substrates and particularly high-viscosity, gel-like paints, dilute in 10% increments)

FEATURES

Airless Spray Gun

Light Weight, Soft Trigger, Smoothly turning swivel connector, Aluminum alloy forged gun body factory setted gun needle.

X450 * Inlet: 1/4 NPSM Outlet: 7/8



Tip Gasket

For use with latex and solvent-based materials. DP-637G*



Airless Spray Tip

Professional finish Reversible-clear tip clogs quickly with just a twist DP-637XT 517*



High Pressure hose and Connector

DP-637H05 1/4x15M High Pressure hose* DP-637C 1/4x1/4 Connector



X Tip Guard

7/8 in thread fits all regular spray gun DP-637SX*



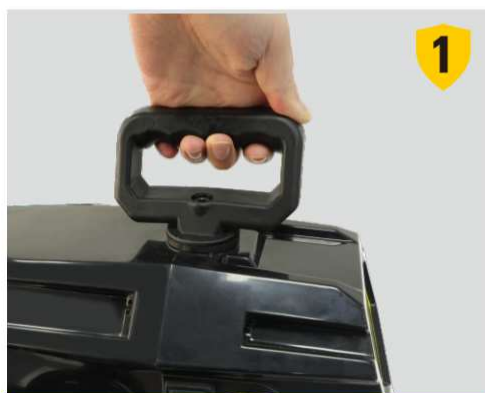
Pump Repair Kits

A multi-layer V-packings made from German UHPE and American leather, significantly extending its lifetime.



ACCESSORIES

*Mark means the standard size along with machine



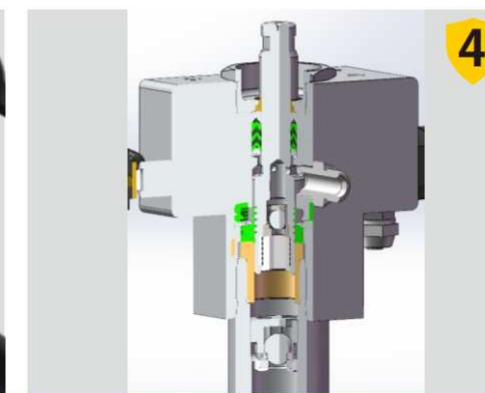
360° Adjustable Handle
For maximum comfort, grip, and portability in any position



Electronic Pressure Control
Minimizing pressure fluctuation while maximizing spraying efficiency



All metal construction
Stainless steel piston rod/ balls /Reversible tungsten carbide seats



Proven fluid section
Cylinder will never wear out



Reliable heavy duty PMDC motor



Compact design makes jobsite life easy